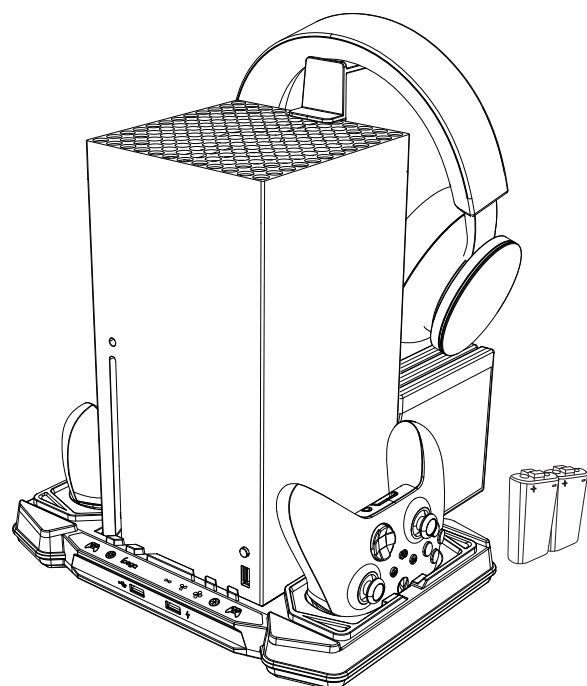




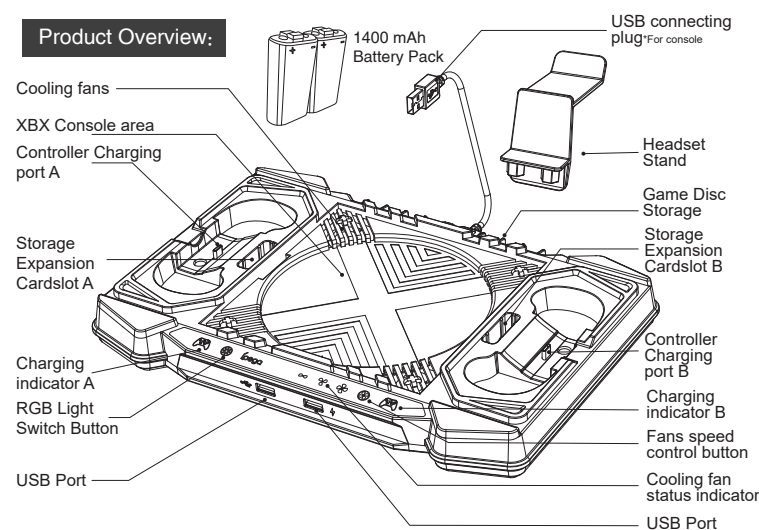
派鲨鱼

Multi-functional Charging Stand

Product manual (PG-XBX025SD)



Product Overview:



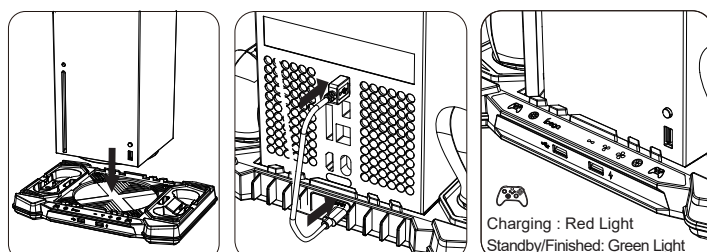
Product Description:

1. This product is suitable for the Xbox console which is able to reduce the heat and charge the original controller.
2. Equipped four low-noise cooling fans with 3 different levels allow users to switch.
3. Equipped with one touch button for fan speed control and one touch button for light mode selection.
4. Equipped one headset stand to place the headset.
5. With two card slots to store the Storage Expansion Card.
6. Game Disc Storage, maximum for 6 game discs.
7. RGB colorful lighting effects with a total of 11 lighting modes.
8. Compatible with the original Xbox protective case for added convenience and protection.

Specifications:

Input: DC 5V/2A Single controller charging current: ≤500mA
 Output: DC 5V/2A Charging Hours: ~3.5 hours
 Single battery pack: 1400 mAh

Product instructions:



1. Follow the steps shown in the diagram to assemble and connect the multifunctional charging dock to the console.
2. Power on the Xbox. The charging dock's controller charging indicator lights A and B, as well as the fan speed indicator light, will turn green. At this point, the charging dock is in standby mode, and the RGB colorful lighting will work in the mode it was in before the last power-off.
3. Align the original Xbox controller with the Type-C connector in charging slot A or charging slot B on the charging dock. The corresponding charging indicator light will turn red, indicating that the controller is charging. When the controller is fully charged, the corresponding charging indicator light will turn green.
4. The cooling fan is set to default to the third-speed setting. Press the fanpower button once to stop the fan, and the fan indicator light will turn off. Press the fan power button again to switch to the first-speed setting, and the fan speed indicator light 1 will turn green. Press the fan power button once more to switch to the second-speed setting, and the fan speed indicator light 2 will turn green. Press the fan power button again to switch to the third-speed setting, and the fan speed indicator light 3 will turn green. The fan power button allows you to toggle between the "3rd speed → off → 1st speed → 2nd speed" modes sequentially.

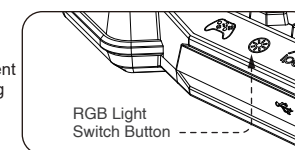
Caution

- ∞ Level 1
- ⊗ Level 2
- ⊗ Level 3 (Best dissipation effect, but it may noisy)

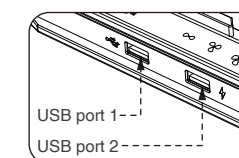
Press one time: Turn on and go to level 3
 Press two times: Level 1
 Press three times: Level 2
 Press four times: Level 3
 Press five times: Turn off, loop

5. Light Switch Button:

- Pressing the light effect switch button allows you to cycle through the 11 lighting effects:
1. Rainbow Breath Flow
 2. Rainbow Color Jogging
 3. Rainbow Breath Gradient
 4. Single Color Breath Gradient
 5. Multi-color Overall Jumping
 6. Blue
 7. Aqua Blue
 8. Green
 9. Yellow
 10. Red
 11. Purple

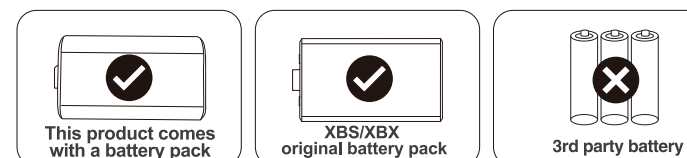


6. Long-press the light mode switch button for 3 seconds to save the current light mode and turn off the lights. Press the light mode switch button again to enter the saved light mode. The current light mode is automatically saved when the device is powered off, and the device will enter the last saved light mode upon the next power-on.
7. Equipped with two USB ports, one with 2.0 data functionality, and the other supports low-current charging only.



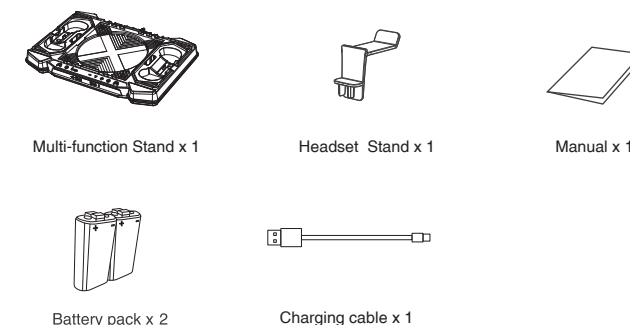
Note:

1. The charging function only support the battery pack that we provide and XBS/XBX original battery pack, please do not charge other controller and battery pack.



2. When is powered on, there is voltage inside the Type-C connector used for controller charging. Please avoid bending the Type-C connector and prevent water, metal debris, or other foreign objects from coming into contact with the Type-C connector.
3. When the controller is fully charged or close to full charge and placed on this product for charging, the charging indicator light will not change and will continue to show a green light.

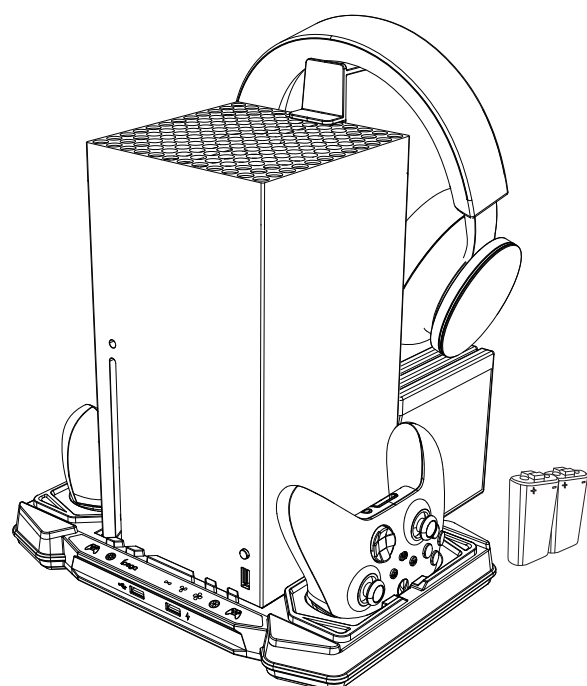
Product List:



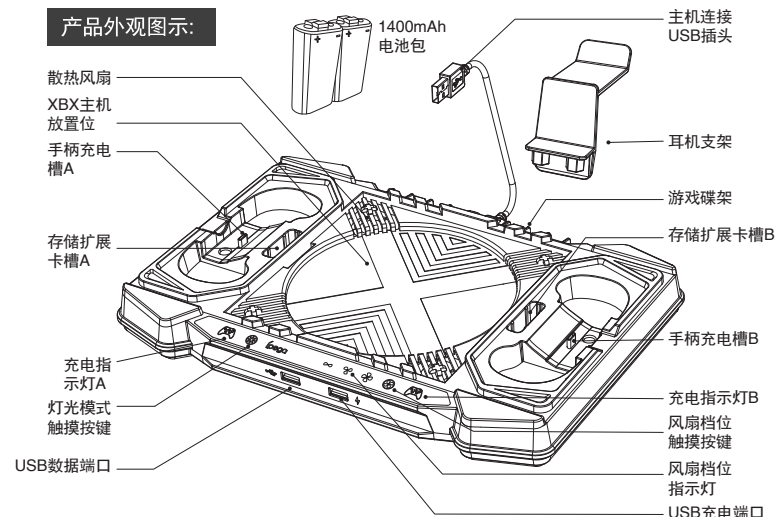
派鲨鱼

XBX多功能机甲座充

产品说明书 (PG-XBX025SD)



产品外观图示:



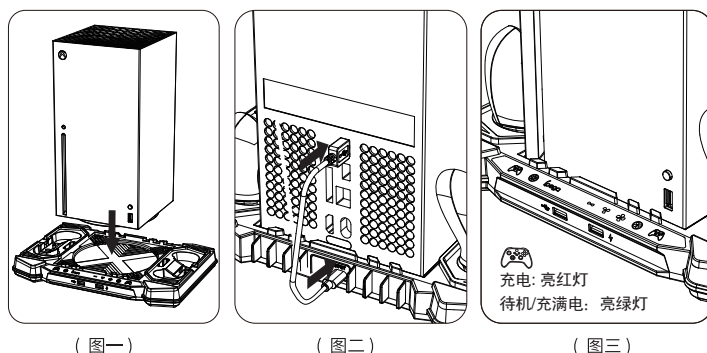
适用说明:

1. 本产品适用于XBX主机散热及原装手柄（手柄内装XBX原装充电电池）充电使用。
2. 配备4个低噪散热风扇，散热效果好，噪音低。
3. 配备1个风扇档位触摸按键与1个灯光模式触摸按键。
4. 配备一个耳机支架，方便收纳耳机。
5. 具备两个存储扩展卡槽位，方便收纳存储扩展卡。
6. 配备游戏碟架，可放置6张游戏光盘。
7. 带RGB炫彩灯效，共有11种灯光效果。
8. 兼容XBX原装保护皮套使用。

电性参数:

输入: DC 5V/2A 输出: DC 5V/2A
 单个手柄充电电流: ≤500mA 充电时间: 约3.5小时
 单个电池包容量: 1400mAh

设备使用说明:



1. 将多功能座充按上图操作方法与主机装配连接;
2. 将XBX主机开机，多功能座充的手柄充电指示灯A与指示灯B及风扇档位灯亮绿灯，此时座充处于待机状态，RGB炫彩灯工作在上次关机前的模式;
3. 将XBX原装手柄对准充电槽中的TYPE-C插头插入手柄充电槽A或充电槽B，对应的充电指示灯将亮红灯，表示手柄正在充电，当手柄充满电时，对应的充电指示灯将亮绿灯;
4. 散热风扇开机默认为3档风速，按一下风扇开关，散热风扇停止工作，同时风扇指示灯熄灭。再按一下风扇开关，切换为1档风速，同时风扇档位指示灯1亮绿灯，再按一下风扇开关，切换为2档风速，同时风扇档位指示灯2亮绿灯，再按一下风扇开关，切换为3档风速，同时风扇档位指示灯3亮绿灯。风扇开关可使散热风扇在“3档→关闭→1档→2档”四种状态之间依次切换;

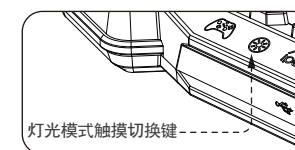
请注意!

- ∞ 静音
- ⊗ 中档
- ⊗ 强力 (此档散热效果最好,但可能会产生噪音)

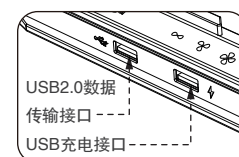
开机默认为高速档，按一下关闭风扇
 再按一下切换至低速档，
 再按一下切换至中速档，
 再按一下切换至高速档，
 再按一下关闭风扇，依此循环.....

5. 彩灯开关按键:

- 按下灯效开关键可以在11种灯光效果中依次切换
- 1: 七彩呼吸流水
 - 2: 七彩变色慢跑
 - 3: 七彩呼吸渐变
 - 4: 单色整体呼吸渐变
 - 5: 多色整体跳变
 - 6: 蓝色
 - 7: 水蓝色
 - 8: 绿色
 - 9: 黄色
 - 10: 红色
 - 11: 紫色

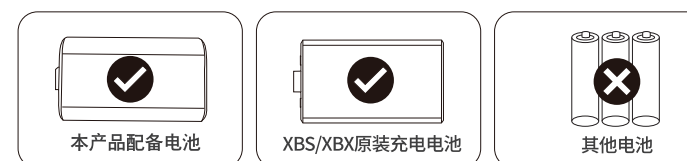


6. 长按灯光模式切换键3秒，保存当前灯光模式并熄灯，再次按一下灯光模式切换键，进入已保存的灯光模式，关机断电时自动保存当前灯光模式，再次开机时进入最近一次断电前的灯光模式;
7. 共配备两个USB接口，1个带2.0数据功能；另1个仅支持小电流充电功能。



产品注意事项:

1. 本产品手柄充电功能仅适用于本产品附送的电池组或XBS/XBX原装电池组，请勿为其他非原装手柄和电池组充电。



2. 在本产品通电工作时，手柄充电TYPE-C头内部有电压，请勿弯折TYPE-C头，请避免将水、金属碎屑等接触TYPE-C头。
3. 当手柄在满电或接近满电状态时，将手柄放在本产品上充电时，充电指示灯将无变化，仍显示绿灯。

产品清单:

