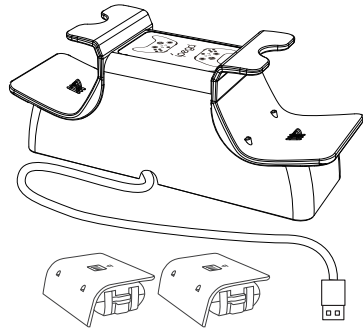




艾派格

XBX手柄充电座

产品说明书 PG-XBX003



适用说明:

1. 本产品适用于XB Series X/S手柄进行充电使用;
2. 支持双手柄充电功能, 更好的节约空间及电源设备;
3. 具有充电及饱和指示功能, 清晰直观的了解当前充电状态;
4. 具有短路保护功能;

电性参数:

1. 输入电压: DC 4.8-5.5V
2. 输入电流: 1A
3. 充电电压: DC 3.2V;
4. 充电电流: ≈ 250 mA(单个手柄)
5. 充电时间: 3-4H
6. 电池容量: 1000mAh(单个电池)

产品使用说明

LED工作模式:

1. LOGO灯: 通电长亮白灯;
2. 模式灯1/2: 通电亮绿灯, 充电亮红灯, 充满亮绿灯;

充电功能:

1. 将产品USB2.0插头插入XB Series X/S主机USB母座或其它5V电源 (1A以上), 产品LOGO灯长亮白灯, 产品模式灯长亮绿灯;
2. 将手柄插入卡槽1/2进行充电, 此时红色指示灯1/2常亮;
3. 手柄被充满电后, 红灯转绿色指示灯常亮;
4. 若手柄充电时出现异常造成短路, 内部自动保护, 充电指示灯闪亮, 短路解除后重新接入电源自动恢复工作;

注意事项

1. 请不要把本产品在潮湿或高温地方存储;
2. 不要敲击、摔打、棒打、刺穿、或试图去分解本产品, 以免对产品造成不必要的损害;
3. 不要在靠近火或其它热源的地方对手柄进行充电;
4. 非专业人员误拆卸本产品, 否则不在售后保修服务内;

产品清单



充电底座 x1 说明书 x1 电池盖 x2 电池 x2

iPega 商标属于IPEGA LIMITED 所有.

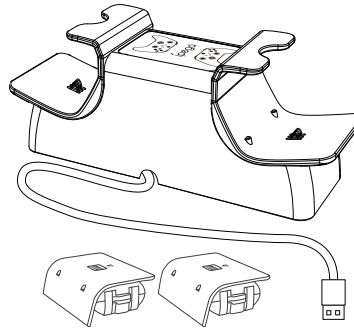
专利号: ZL202030675301.0



艾派格

CHARGER DOCK WITH BATTERY PACK

User Manual for PG-XBX003



Instructions:

1. Compatible with XB Series X/S Controller;
2. Dual Controller charging at the same time, easy to use
3. With charging indicators. easy to know the charging status while charging.
4. With charge protective to avoid overcharge;

Specification:

1. Input voltage: DC 4.8-5.5V
2. Input current: 1A
3. Charging voltage: DC 3.2V;
4. Charging current: ≈ 250 mA (Single)
5. Charging time: 3-4H
6. Battery capacity: 1000mAh(Single)

Usage Instruction:

LED working status:

1. LOGO indicator: Turn on while connecting to power source;
2. Mode indicator 1/2: Green indicator turned on when power on/ full charged, Red indicator turned on when charging;

Charging function:

1. Connect to XB Console/ other 5V power source (over 1 A) by using USB Cable, the LOGO light will glow white and the mode indicator will glow Green;
2. Connect controller to the dock slot 1/2, mode indicator 1/2 will glow red while charging
3. Once the controller is fully charged, the red indicator turns to green and the light will be turned on;
4. With charge protective, If the controller is charged abnormally and causes a short-circuit, the LOGO light and the mode indicator will flash, and the work will automatically resume after the short circuit is removed;

Notes:

1. Please do not store this product in wet or high-temperature areas.
2. Don't knap, beat, drub, pierce, or try to decompose this product, to avoid unnecessary damage to the product.
3. Do not charge the Controller near fire or other heat sources;
4. Non professional personnel should not disassemble the product, otherwise it will not be covered in the after-sales warranty service.

Accessories List:



Charger Dock x1 User Manual x1 Battery cover x2 Ni-MH Battery x2

iPega trademarks belongs to IPEGA LIMITED.

Patent No.: ZL202030675301.0